

# AMU BRASS

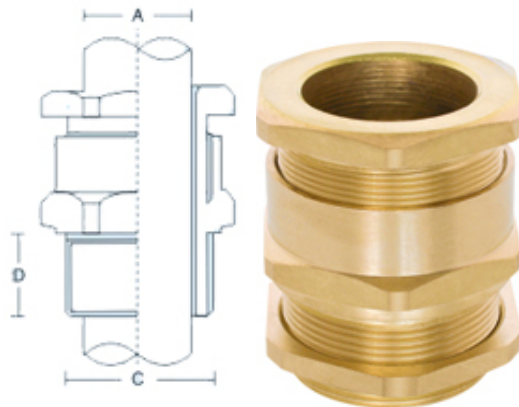
HOMEPAGE | ABOUT US | PRODUCTS | CONTACT US | RESOURCES



WORLDWIDE EXPORT

**OUR PRODUCTS**

## Brass A2 Type Cable Glands





<b>Material</b>	Brass BS 2874 CZ121 Pb3
<b>Standard</b>	EN 50262 : 1999
<b>Size</b>	20 mm to 90 mm
<b>Application</b>	Outdoor or Indoor for use with all types of Unarmoured Cable
<b>Function</b>	Provide Seal on Outer Sheath of the Unarmoured Cable
<b>Optional Threads</b>	METRIC, NPT, BSP, PG or as specified
<b>Finish</b>	Brass Finish, Nickel Finish, Chrome Finish or as specified
<b>Operating Temp.</b>	Standard seals -200 C to +800 C
<b>Accessories</b>	Matching Accessories available like PVC Shrouds, Lock Nuts, Earth Tags, Reducers, Adaptors, etc. as per the requirement

Size	Thread Size 'C'		Minimum Length of Thread 'D'	Cable Range	
	MM	INCH		MAX 'A'	MAX 'B'
A2 20S	20	3/4	15	10.80	8.80
A2 20L	20	3/4	15	14.70	11.40
A2 25S	25	1	15	16.00	13.00
A2 25L	25	1	15	20.30	17.30

A2 32S	32	1.1/4	15	23.00	20.00
A2 32L	32	1.1/4	15	26.20	24.20
A2 40S	40	1.1/2	20	29.00	26.00
A2 40L	40	1.1/2	20	34.00	29.50
A2 50S	50	2	20	41.00	33.00
A2 50L	50	2	20	45.00	38.00
A2 63S	63	2.1/2	20	51.50	44.00
A2 63L	63	2.1/2	20	56.50	50.00
A2 75S	75	3	20	63.20	56.00
A2 75L	75	3	20	68.50	62.00

Other Terms : **Brass A2 Type Cable Glands, Brass cable glands A2 type, A1 Brass cable glands, BrassA2 Cable glands, A2, Cable, glands, Brass, A2, cable glands, Ex Cable Gland, Brass Cable Gland, Brass Cable Glands, PG cable Gland, Brass gland kits A2, A2 Brass cable gland kits, A2 Brass cable gland packs, A2 Type cable glands, Brass A2 Cable glands India**

**Brass BW 2 Parts Cable Glands | Brass BW3 Parts Cable Glands | Brass CW Cable Glands | Brass CX Type Cable Glands |  
Brass A2 Type Cable Glands | Brass E1W Cable Glands | Brass CXT Cable Glands | Brass Marine Cable Glands | Brass  
Metric Strain Relief Cable Glands**

[Homepage](#) | [About Us](#) | [Brass Products](#) | [Brass Resources](#) | [Contact Us](#)

Neutral Links Brass Neutral bars | Brass Inserts | Brass Nuts | Brass Anchors | Brass Fasteners | Brass Bolts  
Brass Hex Nuts | Brass Washers | Jam Nuts BrassCoarse / Fine, Thread | BRASS Turned Parts | Copper Fittings Copper parts

• [Brass Neutral Links Brass Neutral Bars](#) • [Brass Inserts](#) • [Brass Nuts](#) • [Brass Anchors](#) • [Brass Fasteners](#)  
• [Brass Turned Parts](#) • [Brass Cable Glands](#) • [Brass Hose Fittings](#) • [Brass Casting Non-Ferrous Castings](#)  
• [Copper Fittings and Copper Parts](#) • [Copper Lugs Terminals](#) • [Copper - Bronze Grounding Clamps](#) • [Copper -  
Bronze Grounding Rods](#) • [Stainless Steel Fasteners](#) • [Stainless Steel Hose Fittings](#) • [Brass Screws](#) • [Bronze Fittings](#)  
[Bronze Casting](#) • [Brass PPR fittings](#) • [Brass Washers Copper Washers](#) • [Brass Terminals Battery terminals](#) •

## Contact Us

### **Amu Brass Parts and Components**

**GIDC, Shanker Tekri Udoygnagar,  
Jamnagar 361004  
Gujrat INDIA**

Phone : +91-22-43449300, +91-22-43449323

Fax: +91-22-22834046, +91-22-40023682

Email: [mktg@amubrass.com](mailto:mktg@amubrass.com)

**Visit Our Website : [www.amubrass.com](http://www.amubrass.com)**